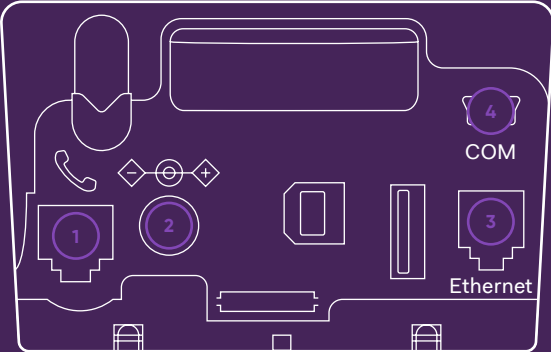
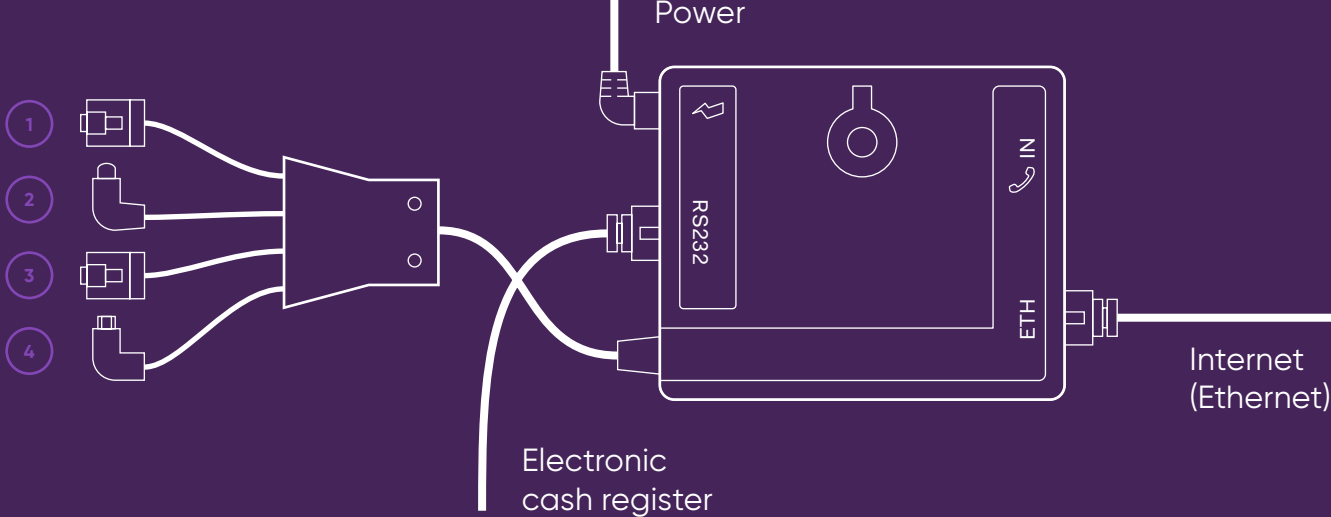


ICT250 with Magicbox

ICT250 – UNDER THE LID



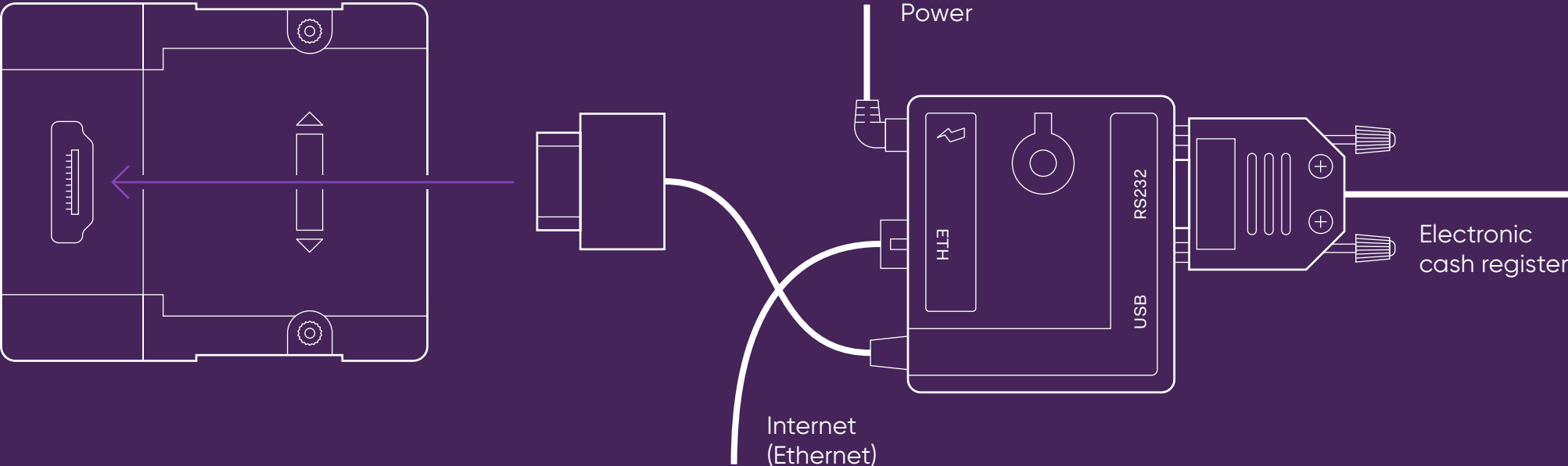
MAGICBOX



IPP350 with Magicbox

IPP350 – BACK OF TERMINAL

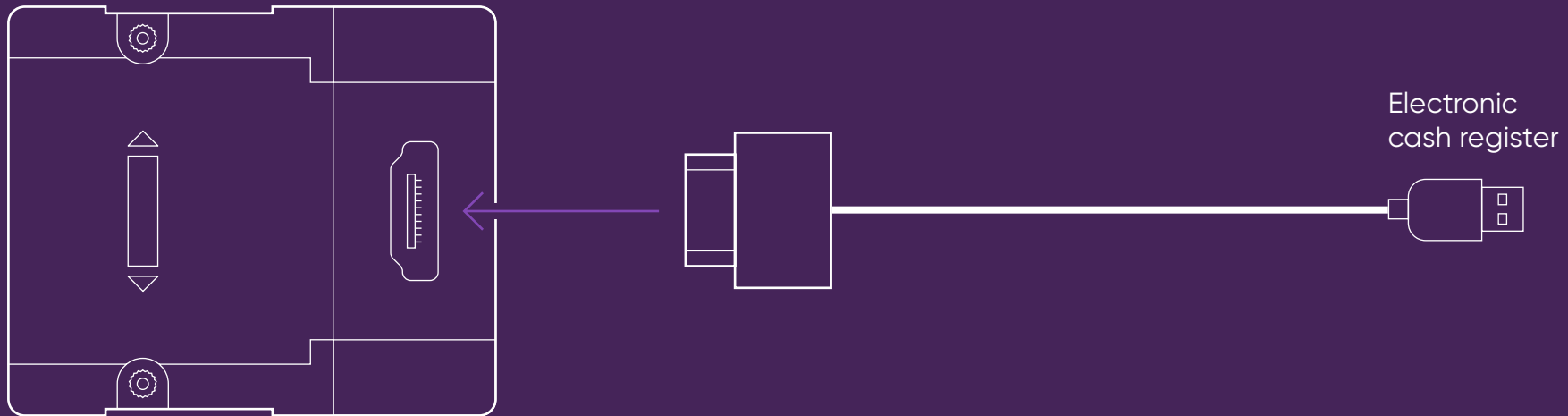
MAGICBOX



IPP350 with USB

IPP350 – BACK OF TERMINAL

USB CORD



IWL250

CONNECT TO TERMINAL

- 1 Place terminal in dock.
- 2 Go through the menu:
 - Settings
 - Administration
 - Password: 101010
 - Docking station
 - Connect

IWL250 – BACK OF DOCKING STATION

